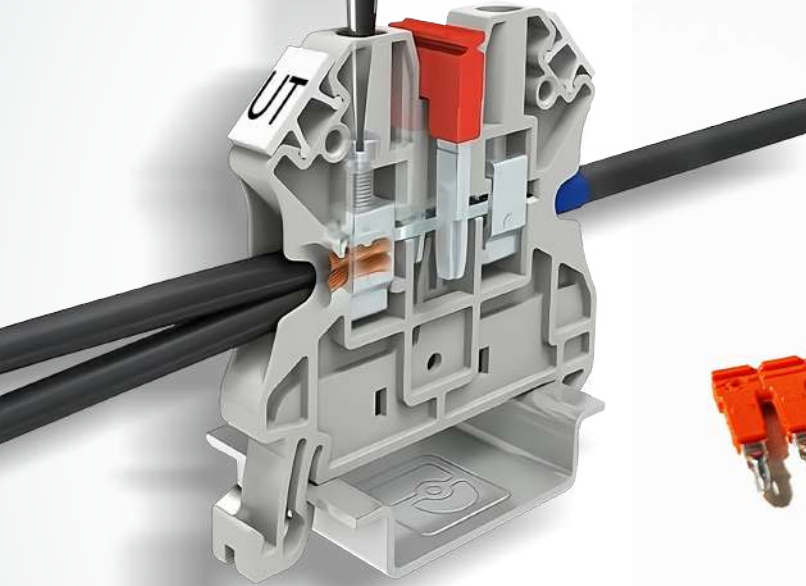
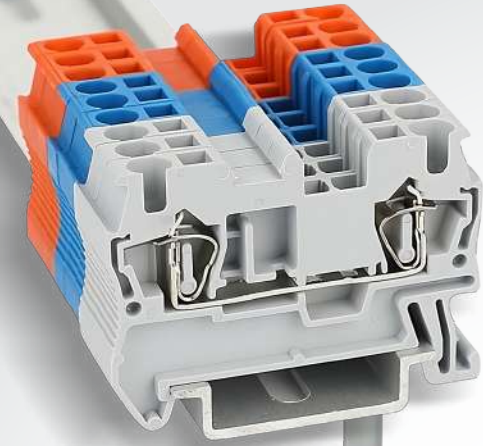


CERTIFICADO por:



IMPORTADORA
JORDAN

HECHO en
TURQUÍA



SOMOS
IMPORTADORES

Onka

NUEVO
CATÁLOGO 2024

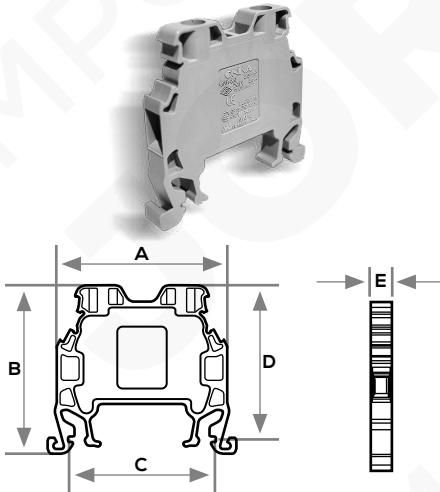


BORNERAS para RIEL DIN CONEXIÓN de TORNILLO

SERIE **MRK** | ESPECIFICACIONES:

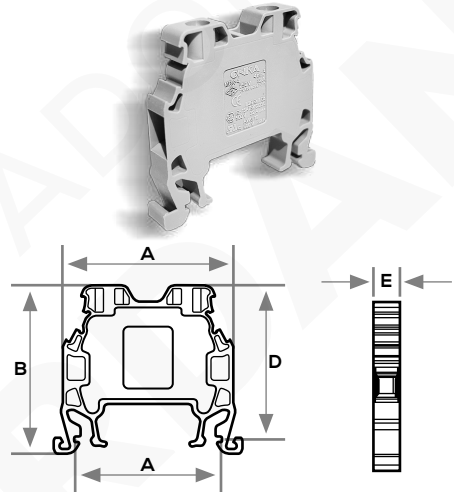
| | |
|---------------------|------------------|
| MATERIAL DEL CUERPO | PA 6.6 |
| MATERIAL RESORTE | Acero Inoxidable |
| PUENTE | Cobre |
| TORNILLO | Acero CK45 |
| TEMPERATURA | (-40°C, +140°C) |

MRK 2.5 mm²



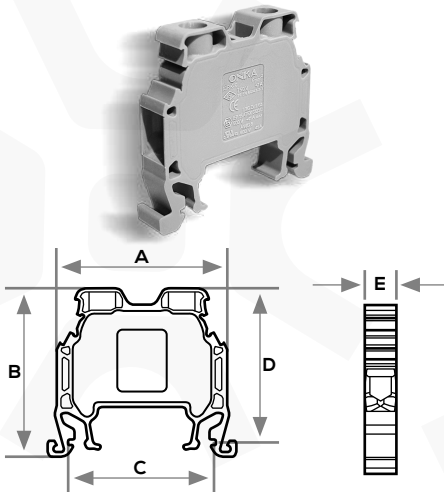
| CALIBRE AWG | DIMENSIONES MM | | | | |
|----------------|----------------|----|------|------|-----|
| | A | B | C | D | E |
| 14 | 40 | 40 | 34.5 | 36.5 | 5.9 |

MRK 4 mm²



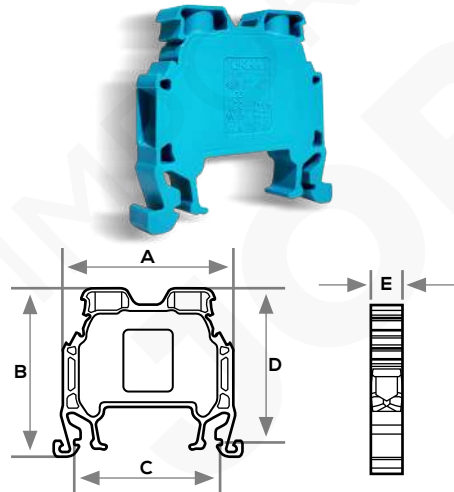
| CALIBRE AWG | DIMENSIONES MM | | | | |
|----------------|----------------|----|------|------|-----|
| | A | B | C | D | E |
| 12 | 40 | 40 | 34.5 | 36.5 | 6.7 |

MRK 6 mm²



| CALIBRE AWG | DIMENSIONES MM | | | | |
|----------------|----------------|----|------|------|-----|
| | A | B | C | D | E |
| 10 | 40 | 40 | 34.5 | 36.5 | 8.2 |

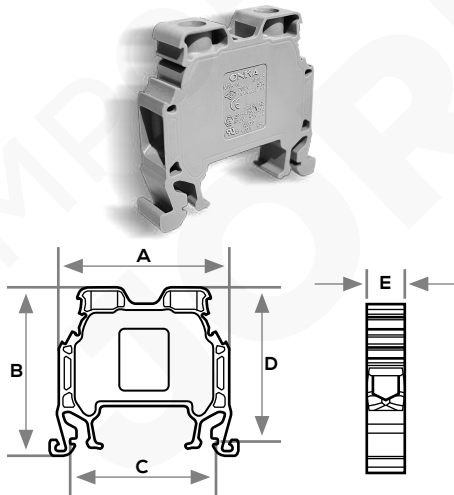
MRK 6 AZUL mm²



| CALIBRE AWG | DIMENSIONES MM | | | | |
|----------------|----------------|----|------|------|-----|
| | A | B | C | D | E |
| 10 | 40 | 40 | 34.5 | 36.5 | 8.2 |

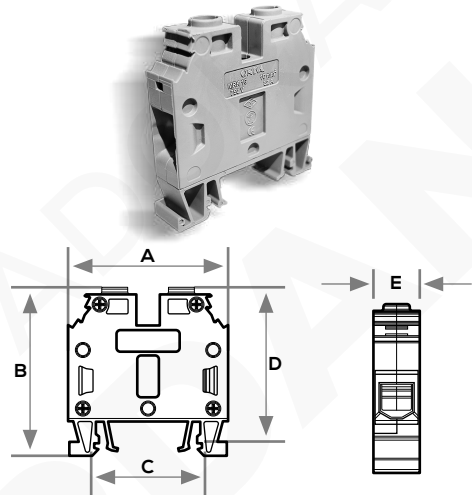
BORNERAS para RIEL DIN CONEXIÓN de TORNILLO

MRK 10 mm²



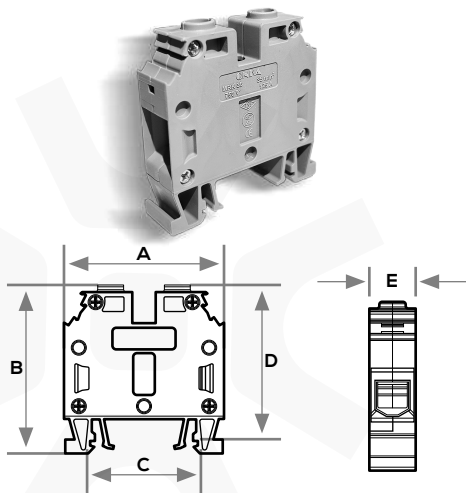
| CALIBRE AWG | DIMENSIONES MM | | | | |
|----------------|----------------|----|------|------|-----|
| | A | B | C | D | E |
| 8 | 40 | 40 | 34.5 | 36.5 | 9.5 |

MRK 16 mm²



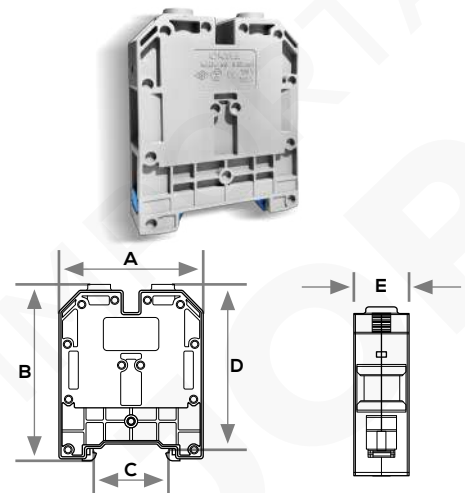
| CALIBRE AWG | DIMENSIONES MM | | | | |
|----------------|----------------|----|------|----|----|
| | A | B | C | D | E |
| 6 | 51 | 54 | 34.5 | 51 | 12 |

MRK 35 mm²



| CALIBRE AWG | DIMENSIONES MM | | | | |
|----------------|----------------|----|------|----|----|
| | A | B | C | D | E |
| 2 | 50.7 | 54 | 34.5 | 51 | 15 |

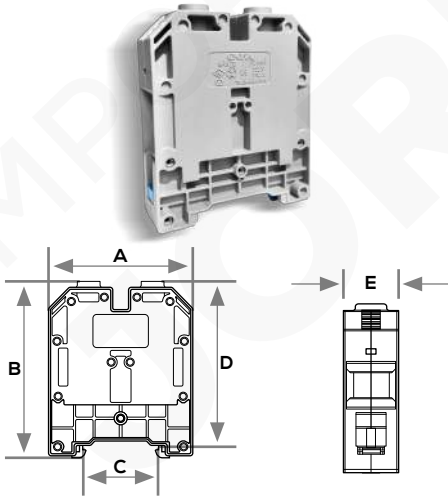
MRK 50 mm²



| CALIBRE AWG | DIMENSIONES MM | | | | |
|----------------|----------------|----|------|----|----|
| | A | B | C | D | E |
| 1 | 64 | 78 | 34.5 | 74 | 18 |

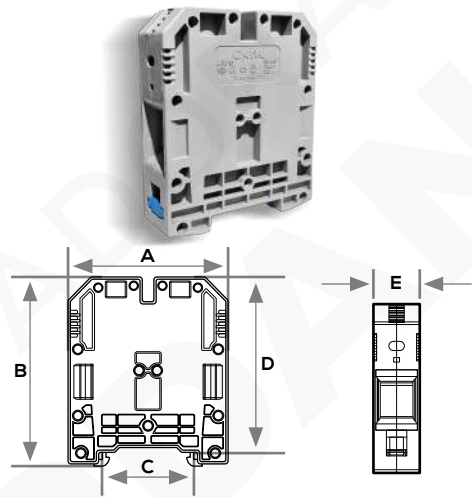
BORNERAS para RIEL DIN CONEXIÓN de TORNILLO

MRK 70 mm²



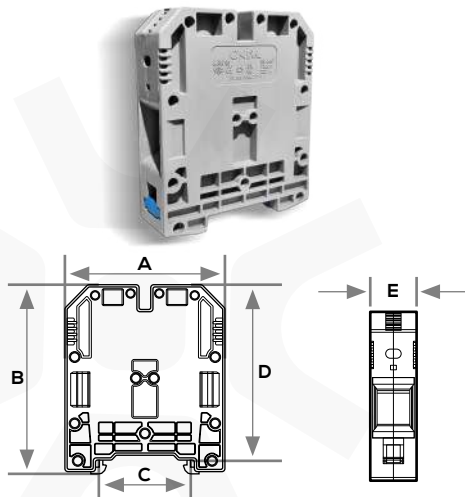
| CALIBRE AWG | DIMENSIONES MM | | | | |
|----------------|----------------|----|------|----|----|
| | A | B | C | D | E |
| 2/0 | 64 | 78 | 34.5 | 74 | 21 |

MRK 95 mm²



| CALIBRE AWG | DIMENSIONES MM | | | | |
|----------------|----------------|----|------|----|------|
| | A | B | C | D | E |
| 3/0 | 75 | 88 | 34.5 | 83 | 23.8 |

MRK 120 mm²

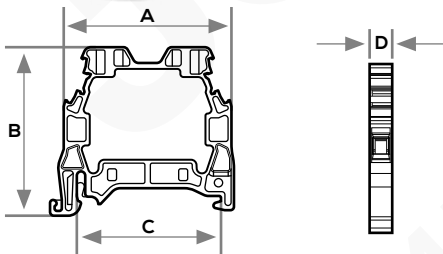


| CALIBRE AWG | DIMENSIONES MM | | | | |
|----------------|----------------|----|------|----|----|
| | A | B | C | D | E |
| 4/0 | 75 | 88 | 34.5 | 83 | 26 |

BORNERAS para TIERRA RIEL DIN

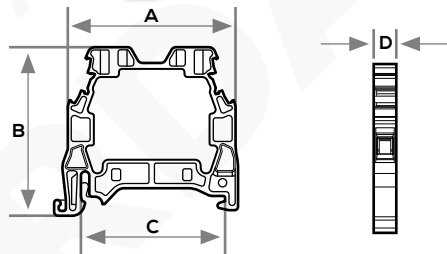
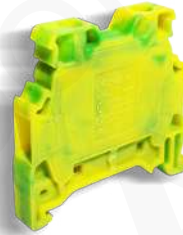
SERIE MTK

MTK 2.5 mm²



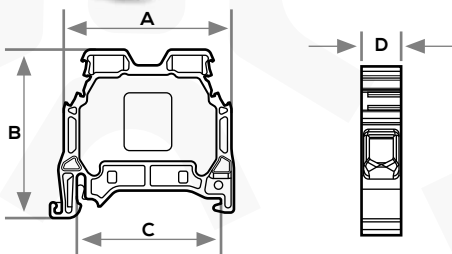
| CALIBRE AWG | DIMENSIONES MM | | | |
|----------------|----------------|------|------|-----|
| | A | B | C | D |
| 14 | 40 | 41.3 | 34.5 | 5.9 |

MTK 4 mm²



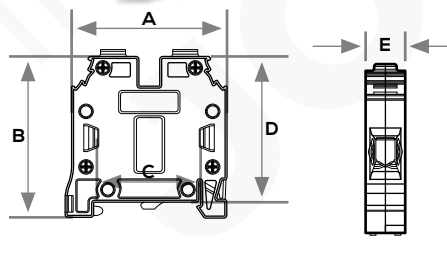
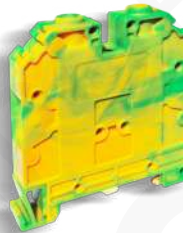
| CALIBRE AWG | DIMENSIONES MM | | | |
|----------------|----------------|------|------|-----|
| | A | B | C | D |
| 12 | 40 | 41.3 | 34.5 | 6.7 |

MTK 10 mm²



| CALIBRE AWG | DIMENSIONES MM | | | |
|----------------|----------------|------|------|-----|
| | A | B | C | D |
| 8 | 40 | 41.3 | 34.5 | 9.6 |

MTK 16 mm²



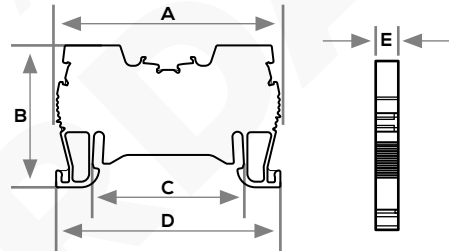
| CALIBRE AWG | DIMENSIONES MM | | | | |
|----------------|----------------|------|------|------|----|
| | A | B | C | D | E |
| 6 | 51 | 52.9 | 34.5 | 47.9 | 12 |

BORNERAS para RIEL DIN CONEXIÓN a PRESIÓN PUSH-IN

SERIE **OPK** | ESPECIFICACIONES:

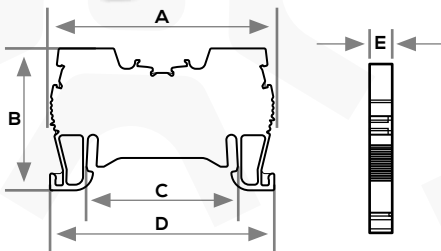
| | |
|---------------------|------------------|
| MATERIAL DEL CUERPO | PA 6.6 |
| MATERIAL RESORTE | Acero Inoxidable |
| PUENTE | Cobre |
| TEMPERATURA | (-40°C, +140°C) |

OPK 2.5 mm²



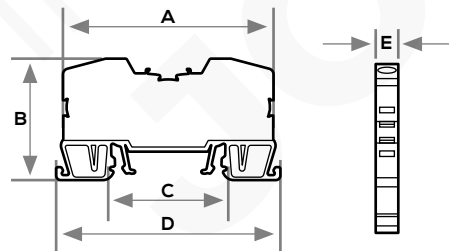
| CALIBRE AWG | DIMENSIONES MM | | | | |
|----------------|----------------|------|------|------|-----|
| | A | B | C | D | E |
| 14 | 52.0 | 33.0 | 34.5 | 51.9 | 5.8 |

OPK 4 mm²



| CALIBRE AWG | DIMENSIONES MM | | | | |
|----------------|----------------|------|------|------|-----|
| | A | B | C | D | E |
| 12 | 52.0 | 33.0 | 34.5 | 51.9 | 6.6 |

OPK 6 mm²



| CALIBRE AWG | DIMENSIONES MM | | | | |
|----------------|----------------|------|------|------|-----|
| | A | B | C | D | E |
| 10 | 62.5 | 36.0 | 34.5 | 66.4 | 8.2 |

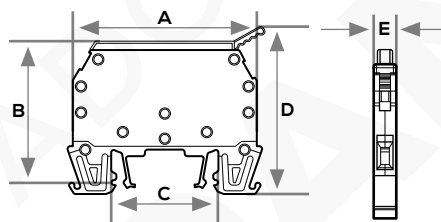
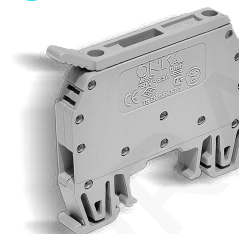
BORNERA PORTAFUSIBLE

SERIE **MRK-S** 6 mm²

MRK-S

ESPECIFICACIONES:

| | |
|---------------------|-------------------|
| MATERIAL DEL CUERPO | Poliamida 6.6 |
| MATERIAL TORNILLO | Acero Inoxidable |
| CONTACTO | Acero CK45 |
| PUENTE | Cobre |
| TEMPERATURA | (-40°C, +140°C) |
| CANT. POR CAJITA | 100 |
| TORQUE | 0.8 Nm |
| CALIBRE | 6 mm ² |



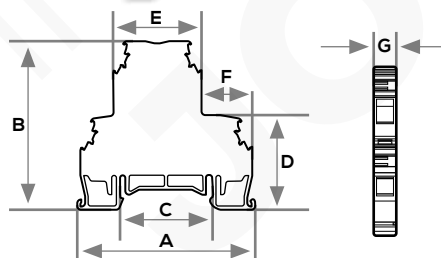
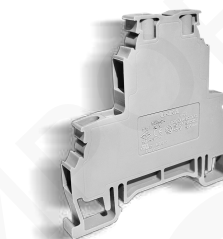
| CALIBRE MM ² | DIMENSIONES MM | | | | |
|----------------------------|----------------|----|------|------|-----|
| | A | B | C | D | E |
| 6 | 60 | 47 | 34.5 | 54.6 | 8.8 |

BORNERA DOBLE PISO

SERIE **MRK-C** 4

ESPECIFICACIONES:

| | |
|---------------------|-------------------|
| MATERIAL DEL CUERPO | Poliamida 6.6 |
| MATERIAL TORNILLO | Acero Inoxidable |
| CONTACTO | Acero CK45 |
| PUENTE | Cobre |
| TEMPERATURA | (-40°C, +140°C) |
| CANT. POR CAJITA | 50 |
| TORQUE | 0.5 Nm |
| CALIBRE | 4 mm ² |

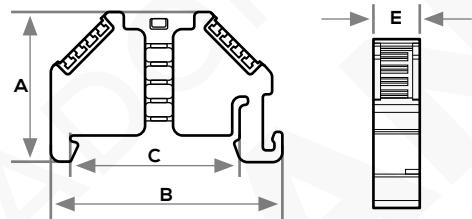


| CALIBRE MM ² | DIMENSIONES MM | | | | | | |
|----------------------------|----------------|----|------|------|----|-------|-----|
| | A | B | C | D | E | F | G |
| 4 | 66.3 | 63 | 34.5 | 35.2 | 33 | 18.75 | 6.6 |

TOPE FINAL MPK OPK GRIS

SERIE MPK OPK | ESPECIFICACIONES:

| | |
|---------------------|------------------|
| MATERIAL DEL CUERPO | Poliamida 6.6 |
| MATERIAL TORNILLO | Acero Inoxidable |
| TEMPERATURA | (-40°C, +140°C) |
| PC5 | 100 |

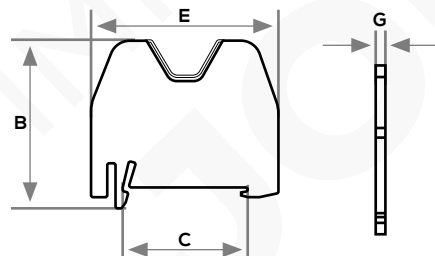


| DIMENSIONES MM | | | |
|----------------|------|------|-----|
| A | B | C | D |
| 30.7 | 47.4 | 34.5 | 7.5 |

SEPARADOR de BORNERA

SERIE MRK-AP | ESPECIFICACIONES:

| | |
|---------------------|-----------------|
| MATERIAL DEL CUERPO | Poliamida |
| CANT. POR CAJITA | 25 |
| TEMPERATURA | (-40°C, +140°C) |



| DIMENSIONES MM | | | |
|----------------|----|------|---|
| A | B | C | D |
| 52 | 48 | 34.5 | 2 |

PUENTE de CONEXIÓN NARANJA de 10 POLOS

PUENTE

ESPECIFICACIONES:

| | |
|-------------------|-----------------------|
| AISLAMIENTO | Poliamida 6.6 y latón |
| NÚMERO DE DIENTES | 10 |
| CUBIERTA | Estañado |

| DESCRIPCIÓN | POLOS |
|-----------------------------------|-------|
| Puente 2.5mm ² Naranja | 10 |
| Puente 4mm ² Naranja | 10 |
| Puente 6mm ² Naranja | 10 |
| Puente 10mm ² Naranja | 10 |
| Puente 16mm ² Naranja | 10 |
| Puente 35mm ² Naranja | 10 |

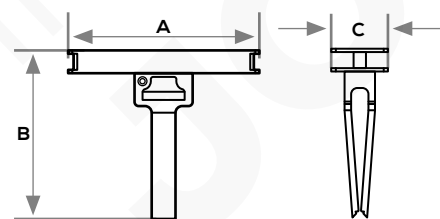
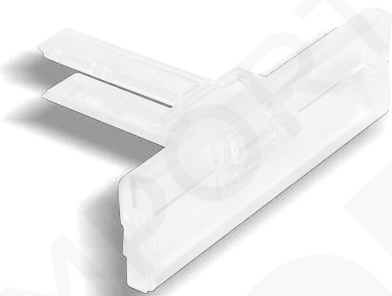
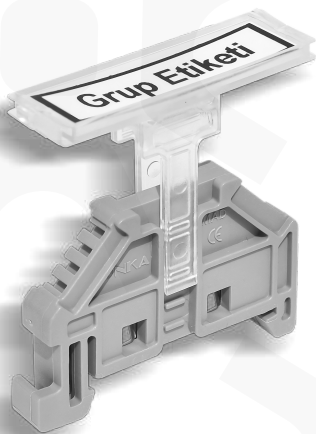


SOPORTE de IDENTIFICACIÓN GROUP MARKER

SERIE MRK-AP

ESPECIFICACIONES:

| | |
|---------------------|-----------------|
| MATERIAL DEL CUERPO | Policarbonato |
| CANT. POR CAJITA | 100 |
| TEMPERATURA | (-40°C, +140°C) |



| DIMENSIONES MM | | |
|----------------|------|------|
| A | B | C |
| 46.2 | 40.6 | 13.6 |

MARCADORES para BORNERAS

OD5 CHICO | ESPECIFICACIONES:

| | |
|---------------------|---------------------------------------|
| MATERIAL DEL CUERPO | PA 6.6 |
| TEMPERATURA | (-40°C, +140°C) |
| BORNERAS | 2.5mm ² y 4mm ² |

OD10 GRANDE | ESPECIFICACIONES:

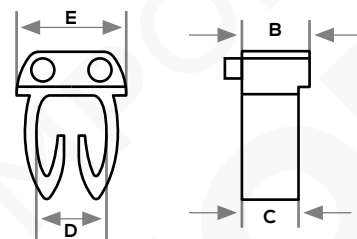
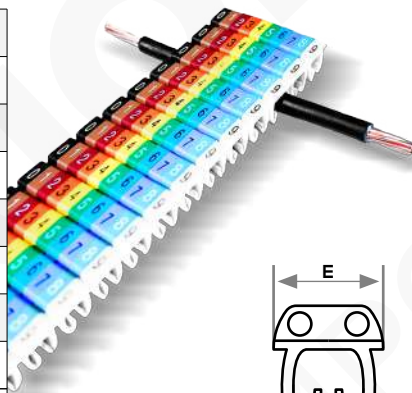
| | |
|---------------------|--|
| MATERIAL DEL CUERPO | PA 6.6 |
| TEMPERATURA | (-40°C, +140°C) |
| BORNERAS | Desde 4mm ² hasta 70mm ² |



MARCADORES para CABLE TIPO CLIP

SERIE MRK-AP | ESPECIFICACIONES:

| | |
|-------------|---|
| CALIBRE | 1.5 - 2.5mm ² / 4-6mm ² |
| NÚMEROS | "0" - Negro |
| | "2" - Marrón |
| | "3" - Marrón |
| | "4" - Marrón |
| | "5" - Marrón |
| | "6" - Marrón |
| | "7" - Marrón |
| | "8" - Negro |
| | "9" - Marrón |
| LETRAS | de la "A" a la "Z" amarillo |
| SIGNOS | "¥", "+", "-" |
| MATERIAL | PA 6.6 |
| TEMPERATURA | (-40°C, +140°C) |



| CALIBRE MM ² | DIMENSIONES MM | | | |
|----------------------------|----------------|---|-----|-----|
| | A | B | C | D |
| 2.5-4mm ² | 5 | 3 | 2.5 | 3.2 |
| 4-6mm ² | 7.4 | 3 | 2.5 | 4.9 |

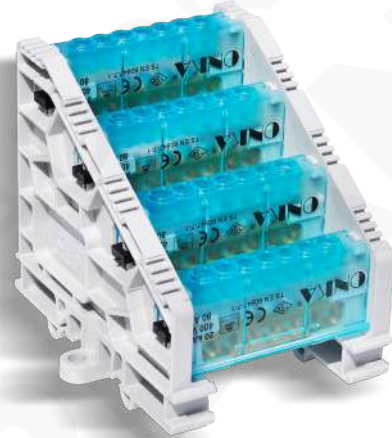
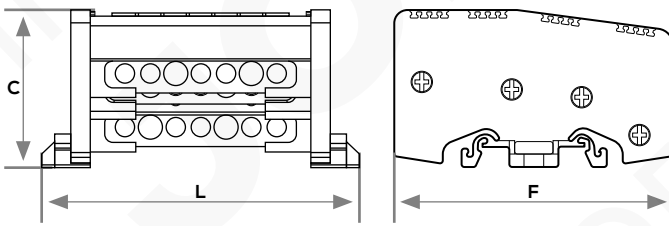
BORNERAS de DISTRIBUCIÓN con CUBIERTA

ESPECIFICACIONES:

| | |
|--------------------|---------------|
| MATERIAL BASE | PA |
| MATERIAL TORNILLOS | Acero |
| MATERIAL TIERRA | Latón |
| MATERIAL CUBIERTA | Policarbonato |

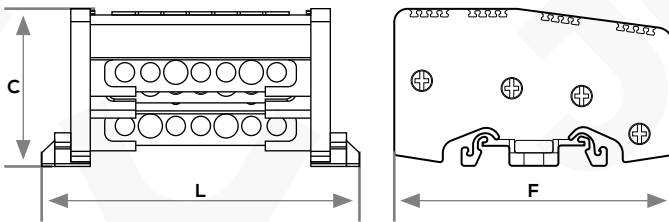
80A 7 HUECOS 4 POLOS (6.5x9mm²)

| CURRENT (A) | VOLTAJE (V) | Uimp (V) | L±2 (mm) | F±1 (mm) | C±1 (mm) |
|-------------|-------------|----------|----------|----------|----------|
| 80 | 400 | 4000 | 85.8 | 86 | 48.5 |



80A 10 HUECOS 4 POLOS (6.5x9mm²)

| CURRENT (A) | VOLTAJE (V) | Uimp (V) | L±2 (mm) | F±1 (mm) | C±1 (mm) |
|-------------|-------------|----------|----------|----------|----------|
| 80 | 400 | 4000 | 104.7 | 86 | 48.5 |



16A 12 HUECOS 4 POLOS (7x12mm²)

| CURRENT (A) | VOLTAJE (V) | Uimp (V) | L±2 (mm) | F±1 (mm) | C±1 (mm) |
|-------------|-------------|----------|----------|----------|----------|
| 160 | 750 | 4000 | 136.7 | 86 | 48.5 |

